



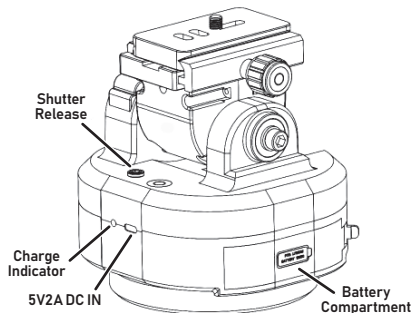
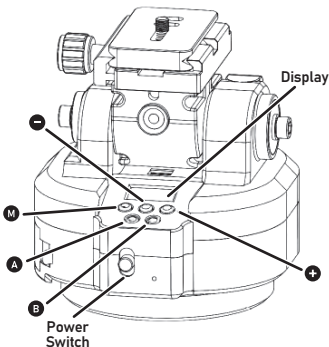
# RANGER

## REMOTE PAN/TILT THERMAL MOUNT QUICK START GUIDE

**Attention:** *The power supply of this gimbal requires a 5V2A or above charging head, and cannot be plugged into the USB port of the computer. Turn off the remote control and gimbal when not in use, otherwise the battery will be drained.*

The YT1500 remote control pan/tilt is driven by a stepper motor with high positioning accuracy. The pan/tilt has 8 horizontal and vertical speeds from 0.05rpm to 4 rpm. There are 2 preset positions and 2 user definable positions which can be set and recalled with one click. The gimbal can scan between points A and B at a set speed. It is equipped with a shutter cable socket, which can be connected to a camera for remote operation. The gimbal has a load capacity of 2kg and is suitable for ordinary SLR cameras.

There is a 1/4 screw hole under the head for easy mounting to a tripod. It can be widely used in live broadcast, outdoor photography and other occasions.



## Specifications:

<b>Horizontal rotation range:</b>	Infinite
<b>Vertical rotation range:</b>	54°
<b>Horizontal rotation:</b>	8 speeds, 0.05 rpm-4 rpm
<b>Vertical rotation:</b>	8 speeds, 0.05 rpm-0.6 rpm
<b>Remote control type:</b>	2.4G remote control
<b>Remote control channels:</b>	00-99
<b>Remote control range:</b>	≥30 meters
<b>Remote control battery:</b>	2 x AAA batteries
<b>Load bearing:</b>	2kg (camera's center of gravity no more than 50mm from quick release plate)
<b>Power:</b>	8W in remote control mode
<b>DC input:</b>	USB-C 5V2A full power
<b>Gimbal battery:</b>	Single 18650 lithium battery
<b>Size:</b>	122mm(L) x 120mm(W) x 130mm(H)
<b>Weight:</b>	855g (gimbal only)

## Install your phone or camera

Install the camera in the direction as shown in the picture. This gimbal is equipped with a PU70 quick-release plate. The mounted object can move forward and backward within a range of about 70 mm. The camera's centre of gravity must be as close as possible to the centre of the mount to avoid camera shake while panning vertically.

The power supply of this gimbal requires a 5V2A or above charging head. It cannot be recharged from the USB port of a computer. Plug in the TYPE-C cable and the charging indicator light will turn on. The red light will turn on when charging and the green light will turn on when fully charged. This machine is equipped with a 18650 battery, the charging power is 5W.

## Remote control mode

Turn the power switch on to enter remote control mode. At this time, the LCD screen on the gimbal lights up.

The screen displays channel number, point A, point B, signal strength, battery power, vertical speed, horizontal speed, vertical angle, and horizontal angle.

The signal display is red when the remote control is not turned on, and green after the remote control is connected.

Press the menu key **M** to switch between channel selection, horizontal speed, and vertical speed as shown on the display. Press the **+** or **-** button to adjust.

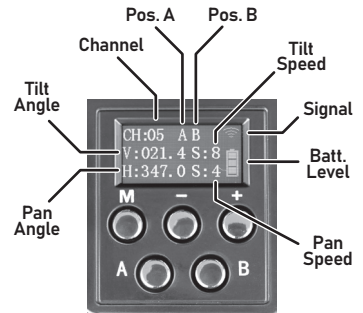
This gimbal has a total of 100 channels, and each has 8 horizontal and vertical speeds. Only when the channel values stored on the gimbal are consistent with those stored on the remote control can the gimbal rotate remotely.

## Set & Recall A/B Position

The mount has can store 2 gimbal positions, represented by A and B, per channel. This mount can be recalled to a stored position with a single button press.

Use the remote control to control the gimbal to rotate to position A. Press and hold the **A** button for 2 seconds. At this time, the word 'A' on the screen turns green, and the gimbal records the horizontal and vertical angles of point A. Use the remote control to control the gimbal to rotate to position B, and press and hold the **B** button for 2 seconds. At this time, the word 'B' on the screen turns green. The gimbal records the horizontal and vertical angles of point B.

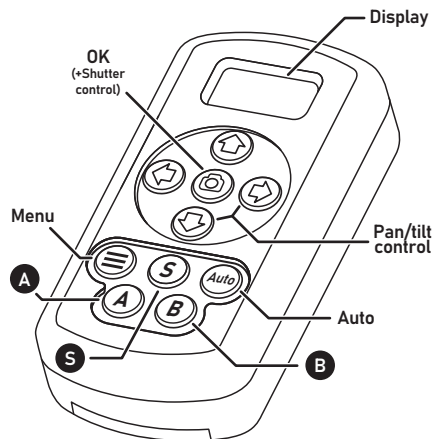
A short press of the **A** button will return the gimbal to the 'A' position, a short press of the **B** button will return the gimbal to the 'B' position, The same function can also be achieved on the remote control.



## Remote Control

Turn on gimbal base, then turn on the remote control. When the channel displayed on the remote control is the same as the channel displayed on the base, the signal icon will turn green, and the remote control can be used. If the channels of the remote control and the base do not match, the red text "SELECT CH" will flash on the remote control, and the number of the channel will flash at the same time. Press the up or down arrow to adjust the channel value, and then press the confirmation button. At this time, the signal icon turns green and the remote can be used normally.

*Note: Gimbal base must be switched on before remote in order for remote to work.*

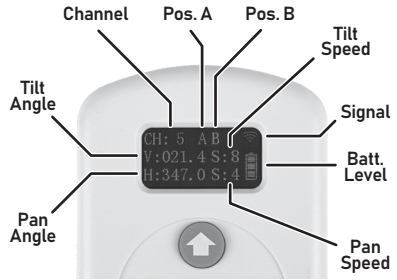


### Changing remote channel:

To select a channel with the remote control, ensure the channel selected is consistent with the base (remote signal icon is green). Press and hold the **menu** button of the remote control, the channel number of the remote control will flash. At this time, press **▲** or **▼** to change the channel value, and press the **OK** button to confirm.

### Changing pan and tilt speed:

To adjust the speed of the remote control, short press the **menu** button and the horizontal speed number will flash. Press the **menu** button again to switch to vertical. Press the **▲** or **▼** button to change the corresponding speed and press the **OK** button to confirm.



## Return to A/ B position

Press the **Auto** + **A** buttons at the same time, the gimbal will automatically return to the A position, press the **Auto** + **B** buttons at the same time, the gimbal will automatically return to the B position. During the return process, the corresponding A and B cursors on the gimbal screen will flash until it returns. Therefore, during live broadcast, the base can remember the positions of 2 anchors or 2 fixed scenes.

## A/B point horizontal scan

By pressing the **Auto** + **S** keys at the same time, the gimbal can scan horizontally between point A and point B at the set speed without moving vertically. Press the **S** key again to end scanning. The AB display on the pan/tilt will flash alternately during scanning.

## Continuous rotation

Press **Auto** and any of the **▲**, **▼**, **◀** and **▶** buttons at the same time, and the gimbal will continue to rotate. Press the direction button again, and the gimbal will stop.

## Remote control photography

Use a 3.5mm shutter cable (not included) to connect the camera and the gimbal base. Turn on camera and press the **OK** button on the remote to focus and take pictures.