



# ELIMINATOR<sup>®</sup> 6

## TABLE OF CONTENTS

<b>KEY FEATURES</b>	<b>4</b>
<b>INSTALLING/REPLACING THE BATTERY</b>	<b>6</b>
<b>MOUNTING THE ELIMINATOR 6</b>	<b>7</b>
<b>BASIC SCOPE FUNCTIONS</b>	
Eye Piece Focusing	<b>8</b>
Parallax/Focus Adjustment	
<b>ELEVATION AND WINDAGE ADJUSTMENT</b>	
Elevation Turret	<b>10</b>
Windage Turret	
Setting Zero	<b>12</b>
<b>DISPLAY TIMES AND POWER CYCLES</b>	<b>13</b>
<b>HEADS-UP DISPLAY (HUD)</b>	<b>14</b>
<b>ADVANCED BUTTON FUNCTIONS</b>	<b>15</b>
<b>REMOTE SWITCH</b>	<b>16</b>
<b>PROGRAMMING THE ELIMINATOR 6</b>	<b>17</b>
<b>CONNECTING TO THE ELIMINATOR 6</b>	<b>18</b>
<b>CUSTOM BALLISTIC PROFILES</b>	<b>19</b>
<b>HUD OVERVIEW</b>	<b>20</b>
<b>RETICLE FAULT DISPLAYS</b>	<b>24</b>
<b>SPECIFICATIONS</b>	<b>26</b>
<b>LASER INFORMATION</b>	<b>27</b>
<b>CARE &amp; MAINTENANCE</b>	<b>28</b>
<b>WARRANTY</b>	<b>29</b>

## INTRODUCTION

The Eliminator<sup>®</sup> 6 is a revolutionary hunting riflescope that combines outstanding optics, pinpoint laser rangefinding, and precision trajectory compensation. It eliminates guesswork and maximizes accuracy, enabling hunters to make precise and ethical shots and not go home empty handed. The Eliminator 6 offers superior quality, technology, speed, and effectiveness, making it the ultimate choice for hunters around the world. In one fast sequence the Eliminator 6 measures the distance to your target, factors in your trajectory, and illuminates the perfect holdover. It's that simple. Thank you for choosing the Eliminator 6 by Burris.



## KEY FEATURES

### BUILT-IN RANGEFINDER

A precise built-in rangefinder capable of ranging reflective targets at 2,000 yards provides a quick distance to target and aiming solution without the need to leave the optic.

### HEADS-UP DISPLAY (HUD)

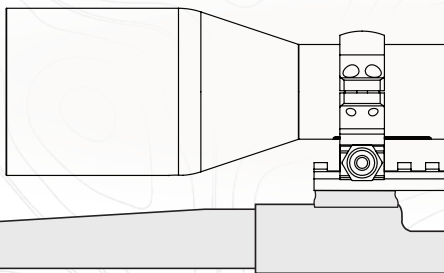
A built-in heads-up display provides important ballistic and rifle data that assists the shooter with making ethical shots.

### BLUETOOTH®

Bluetooth connectivity allows pairing to the BurrisConnect App. The user can upload custom ballistic profiles and modify advanced scope features. It also allows for the use of a Bluetooth enabled remote (Included).

### HIGH-PERFORMANCE FULLY MULTI-COATED GLASS

The Eliminator 6 is equipped with multi-coated HD glass that delivers excellent brightness and clarity. This is the best optical system ever used in an Eliminator.



## X177 RETICLE

The Eliminator 6's X177 reticle uses 177 micro LED's to provide an aiming solution with 1/6 MOA accuracy. The smart focal plane reticle maintains its size throughout the magnification range like a second focal plane reticle. However, this reticle's advanced technology automatically adjusts the illuminated aiming point based on the current magnification. This allows for accurate shot placement at all magnifications.

## 5X ZOOM SYSTEM

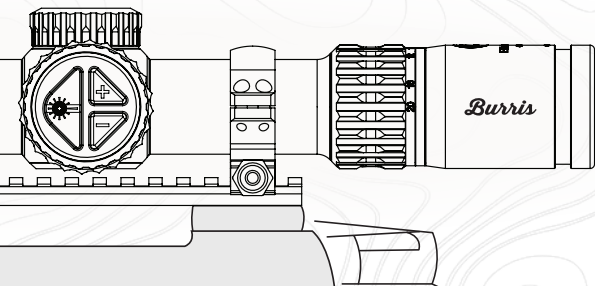
This highly versatile 5x zoom system allows for a full field-of-view at close ranges and better target acquisition at long ranges.

## SIDE FINE FOCUS / PARALLAX ADJUSTMENT

The Eliminator 6 includes an easy-to-reach side focus knob for parallax adjustment. Fine-tune the focus to eliminate parallax and achieve optimal clarity and accuracy at any distance.

## ENVIRONMENTAL SENSORS

The Eliminator 6 has a suite of onboard sensors including a thermometer and barometer for automatically selecting the appropriate ballistic database for your density altitude.



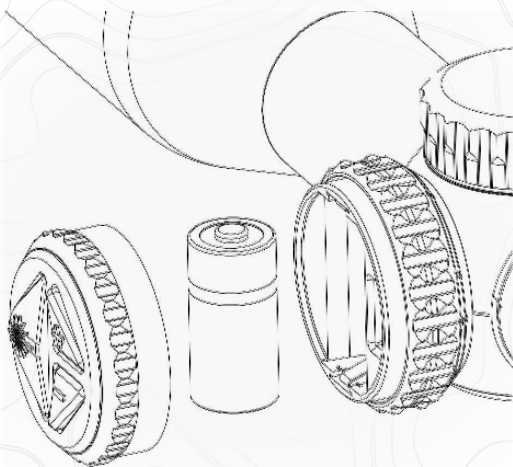
## INSTALLING AND REPLACING THE BATTERY

The rangefinder, HUD, and Bluetooth features are powered by one CR123 battery. To install a new battery, unscrew the battery cap counterclockwise on the button control knob located on the left side of the optic.

Confirm the battery is properly installed and contains a charge by turning on the scope. To power up the scope from off, press the "Range" button on the side of the scope. When the scope is first turned on, the battery symbol will be shown while waiting for additional input.

**IMPORTANT:** It is not recommended to use rechargeable CR123 batteries, as the circuitry is not compatible. Use of rechargeable batteries will void your warranty.

**NOTE:** For long-term storage (over a month), it is advisable to remove the battery. Scope data will not be lost with the removal of the battery.



## **MOUNTING THE ELIMINATOR 6**

**WARNING!** Ensure your firearm is unloaded before mounting the scope. Practice safe firearms handling at all times.

Prior to utilizing the advanced features of the Eliminator 6, the optic should be mounted and zeroed like any other riflescope.

The Eliminator 6 requires 34mm rings. We recommend using our high-quality 34mm Burris Signature rings with Pos-Align technology for maximum elevation and windage adjustability. Use care and follow the manufacturer's directions regarding the installation of mounts and rings when mounting your scope as damage can be caused by improper mounting.

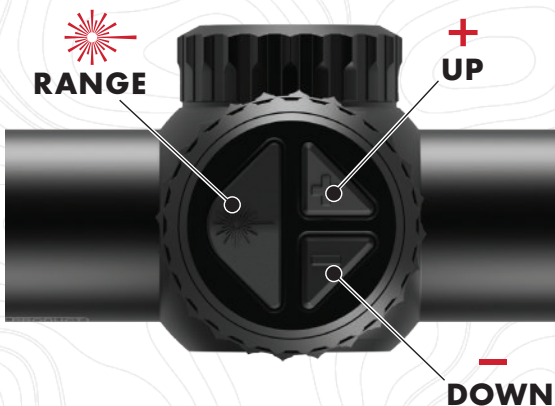
**34mm Signature Zee Ring - HIGH  
Item# 420590**

**34mm Signature Zee Ring - MEDIUM  
Item# 420591**

\*It is critical to level your scope with less than 1/2 degree of cant for optimal performance. Prioritize precision during mounting and zeroing to achieve the best long-range results.

## BASIC SCOPE FUNCTION

The scope has 3 interface buttons  
Range, Up, and Down. See page 15 for full function



### RANGE

This button powers the scope on, wakes from sleep, and takes a range. If you Press and Hold the Range button for 5 seconds the HUD will show your currently uploaded ballistic profile and display parameters (See page 15).

### UP / DOWN

These buttons adjust the reticle brightness to the user's preference. They are also used to access the DA override menu (See page 22).

### POWER RING

The power ring not only adjusts the optical magnification, but turning will reilluminate the HUD, and Restart the HUD sleep timer. This is helpful when staying on a target for long durations.



## EYEPIECE FOCUSING

The eyepiece can be focused to adjust the reticle and Heads-Up Display (HUD), so they appear sharp. For this procedure, only concentrate on the reticle. Adjustments for the HUD can be made later. Follow this procedure to quickly adjust the focus:

After mounting the optic, point the scope at the sky or a plain wall and take a quick glance through the scope. If the reticle appears sharp and black, no further adjustment is necessary. If the reticle does not appear sharp and black, take quick glances through the scope while rotating the focus ring until the reticle pattern is sharp and black.

**NOTE:** Do not look through the eyepiece as you turn the focus ring. Your eyes will adjust to the out-of-focus condition.

## PARALLAX/FOCUS ADJUSTMENT

Images from different distances can focus in front of or behind the scope's reticle causing a blurry image or reticle. The Parallax/ Fine Focus adjustment allows adjusting image focus forward or backward so the reticle and image both appear sharp and clear.

To use the Parallax/ Fine Focus adjustment, rotate the knob on the left side of the adjustment turret, closest to the main scope tube until the numbers corresponding to the known target distance lines up with the reference mark. If the distance is unknown, rotate the adjustment knob clockwise or counterclockwise until the target image is sharply focused.

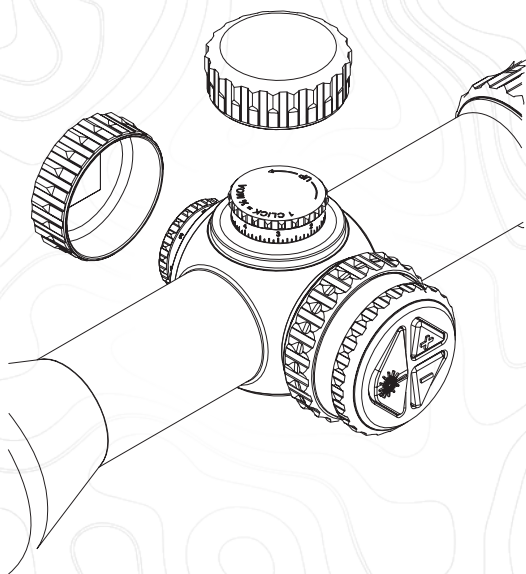
**NOTE:** Maxing out the windage, elevation, or the diopter focus can cause the parallax adjustment to not line up exactly with the yardage markers.

## SIGHTING IN / WINDAGE AND ELEVATION ADJUSTMENTS

Do all shooting in a safe, authorized area. Use proper eye and hearing protection and follow all firearms safety rules. Select the ammunition you intend to use in the field and use it to sight in the firearm. Changing ammunition will result in inconsistent results.

Sight in the Eliminator 6 like any other riflescope. Use the center of the crosshair for aiming and adjustment. Setting up the advanced features of this scope is covered in a later section.

The elevation and windage adjustment dials are located under protective caps. Remove them prior to sighting in.



## **ELEVATION TURRET**

Turning the elevation turret clockwise moves the point of impact down.

Turning the elevation turret counterclockwise moves the point of impact up.

One click =  $1/8$  MOA. The lines on the elevation dial are calibrated to equal  $1/8$  MOA.

There is a total of 40 MOA elevation adjustment. Additional adjustability can be achieved through canted rings or bases. We highly recommend Burris 34mm Signature Zee Rings and Pos-Align inserts to gain additional adjustment.

## **WINDAGE TURRET**

Turning the dial clockwise moves the point of impact left.

Turning the dial counterclockwise moves the point of impact right.

One click =  $1/8$  MOA. The lines on the wind dial are calibrated to equal  $1/8$  MOA.

There is a total of 40 MOA windage adjustment. Additional Adjustability can be achieved through canted rings or bases. We highly recommend Burris 34mm Signature Zee Rings and Pos-Align inserts to gain additional adjustment.

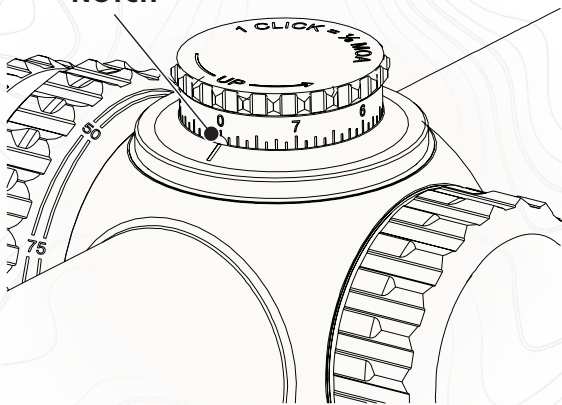
## SETTING ZERO

To zero the windage and elevation dials, using a pen, toothpick or a small nonsharp object into the dial rotation notch located on the dial just below the zero "0".

Keeping a firm grip or pressure on the knob, turn the numbered sleeve back to the zero line. Only the numbered sleeve should move—do not allow the entire knob to move or else you will alter your windage and elevation settings. You will know the knob turned if you hear/feel a click.

Return the Elevation and Windage dial caps after sight-in to prevent accidental movement and to protect the scope from dust and moisture.

### DIAL ROTATION NOTCH



## DISPLAY TIMES AND POWER CYCLES

The Eliminator 6 has multiple display and function cycles to conserve battery life and streamline user operation.

**OFF** - When the scopes power is off it can still be used as a normal riflescope if the optic has been sighted in.

**ON** - Activated by the "Range" button. The battery symbol appears in the heads-up display.

**INITIAL DISPLAY**- Intended to present supplementary details (all zones) relevant to the user during the ranging process. The default initial display time is set at 15 seconds but can be customized by the user with the BurrisConnect app.

**EXTENDED DISPLAY** – Designed to display minimal information essential for making an actual shot. The default extended display time is 15 seconds.

**NOTE:** Both Initial Display and Extended Display are completely customizable in the BurrisConnect App.

**SLEEP MODE** – The Eliminator 6 goes into a sleep mode after an extended period. Default is 10 minutes.

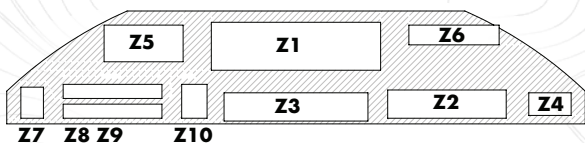
Any button press on the scope, or moving the magnification ring during the Initial Display will restart the Initial Display counter.

Pushing the Up/Down buttons during the Extended display or sleep mode will return you to the Initial Display and restart the counter.

Turning the magnification ring in Extended display or sleep will restart the Extended Display Counter.

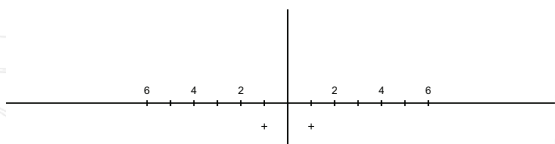
## HEADS-UP DISPLAY (HUD)

The Eliminator 6 Heads-Up Display consists of 10 zones that can be customized in the Burris Connect App. Connecting to the app and changing these settings are covered starting on page 17.



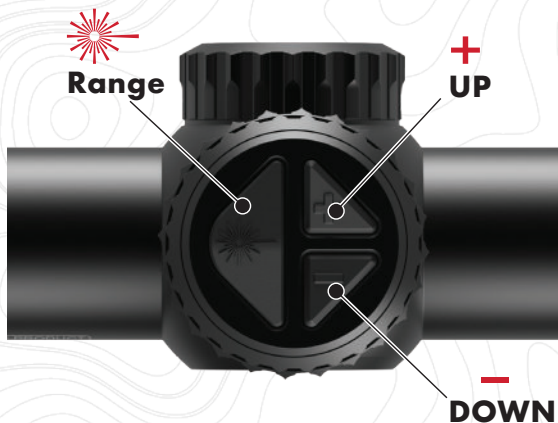
### DEFAULT ZONE SETTINGS

- **Z1** - Primary Value (Default Range)
- **Z2** - Secondary Value (Default Windage)
- **Z3** - Scope Level
- **Z4** - Battery Status
- **Z5** - DA Mode
- **Z6** - Ambient Temperature
- **Z7** - Bluetooth Connection
- **Z8** - Impact Energy
- **Z9** - Velocity at Target Distance
- **Z10** - Shot Call Marker



## ADVANCED BUTTON FUNCTIONS

The scope has 3 interface buttons  
Range, Up, and Down.



### RANGE BUTTON

A single press turns the optic on, engages the rangefinder and initial display.

Press and hold down for 5 seconds and the HUD shows the bullet profile uploaded to the scope. (See page 20)

### UP BUTTON

Adjusts display and reticle brightness up.

### DOWN BUTTON

Adjusts display and reticle brightness down.

Press and Hold Up and Down Buttons for 5 Seconds – Access Density Altitude manual override. (See page 22)

**NOTE:** Reticle and display brightness reverts to auto-bright after the optic turns off. Density Altitude settings remain.

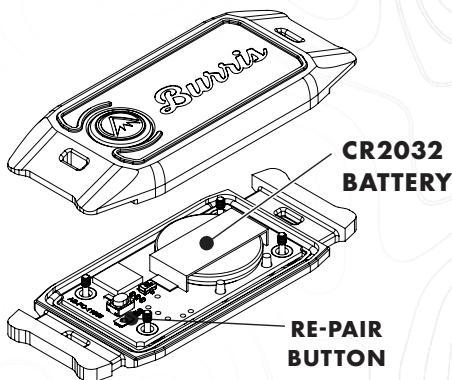
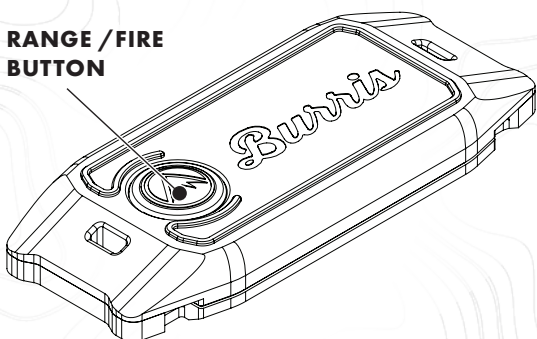
\*\*\*All additional settings including programming the scope are done in the BurrisConnect app.

## ELIMINATOR 6 REMOTE SWITCH

The wireless remote has a non-directional signal with a 30 ft. range. It can be conveniently mounted on the stock of your rifle, worn on a lanyard or kept in a pocket. It is powered by a single CR2032 battery. The remote switch button engages the rangefinder.

Pressing the button on the remote will wake the scope up from sleep mode. It will not turn the scope on.

**RANGE / FIRE  
BUTTON**



If the remote becomes un-paired, remove the screws from the back and locate the button under the cover. Press and hold for 5 seconds or until the HUD displays PAIRED.



## PROGRAMMING THE ELIMINATOR 6

The Eliminator 6 riflescope communicates with the BurrisConnect App where the user can create a personalized ballistic profile for their riflescope. Unlike older versions, which relied on a prebuilt library of data, Eliminator 6 can access factory cartridges or even custom-built loads to ensure the most accurate profiles are created. Additionally, the app gives users the ability to customize the Heads-Up Display (HUD) to their liking.

### APP / BLUETOOTH CONNECTION

To access the advanced functions and custom ballistic profiles, users must pair their device with a smartphone or tablet using Bluetooth. The device will stay connected to Bluetooth while it is awake.



To get started, download the BurrisConnect App.



BURRISCONNECT

Then you will connect and manage your device under the “Optics” tab.

**NOTE:** Installation requires a high-speed cellular or Wi-Fi internet connection. It is recommended that you download the app at home and not at the range or in the field. The app DOES NOT require internet access in the field once installed on your mobile device.

## CONNECTING TO THE ELIMINATOR 6

First make sure your Eliminator 6 has a battery properly installed (See page 6) and turn on or wake up your Eliminator 6 by pressing the “Range” button.

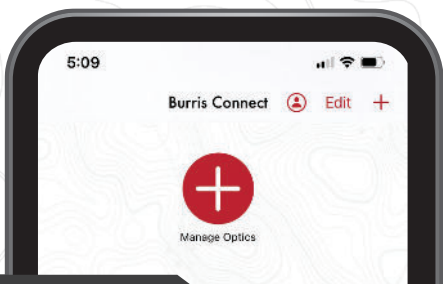
On your mobile device, make sure your Bluetooth setting is turned on and open the BurrisConnect App. Look through the optic to confirm it is powered on and ready to connect. You should see information illuminated in the HUD.

In the BurrisConnect App, go to the “Devices” tab, and add a new device by tapping on “+.”

Follow the “Connection Assistant” instructions. You should see “Device Connected” on the BurrisConnect app as well as the Bluetooth symbol in the scope’s Heads-Up display to indicate it has properly connected.

After connecting you can change the settings on your Eliminator 6 including units of measure for Distance, Temperature, Energy, Velocity, and Wind Speed. You can also adjust the Time Out settings, select a preferred Bubble Level, set a limit for the Shot Call Marker, and customize the layout in which the data is displayed. (More details covered in the next section.)

**NOTE:** Settings are automatically updated on your Eliminator 6 as you make them when connected via Bluetooth.



## CUSTOM BALLISTIC PROFILE

For this section you will need to know information about your bullet and cartridge including ammo manufacturer, bullet weight/type, muzzle velocity, BC, altitude, temperature, and sight-in distance. If the bullet you have selected is not in our library, please confirm your bullet information with the ammunition manufacturer, and populate the ballistic data as if it were a handload.

### BUILD AND DOWNLOAD A BALLISTIC PROFILE:

- ① Go to the "Ballistics" Tab and follow the on-screen instructions to build custom Rifle and Ballistics profile.
- ② After your Ballistic Profile is complete, Select your Eliminator 6 under the "Optics Tab"
- ③ Select the desired ballistics profile you created.
  - A. This is an opportunity to rename the profile in "Active Table" field.
  - B. We recommend using a naming scheme that communicates changes to your profile. Example "John 143 ELDX 7500ft v1.2"
- ④ Tap "Upload" and wait while your profile is uploading.
- ⑤ Uploading is complete when the progress bar disappears. You can confirm and check what ballistic profile has uploaded by looking in the optic and holding the Range button for 5 seconds. The profile name will scroll across the HUD followed by your settings for the Initial Display and Extended Display

**NOTE:** Any changes to your Ballistic Profile must be reuploaded to your Eliminator 6.

## TAKING YOUR SHOT

After you have completed the programming and connection process, your riflescope will be ready for use. Follow these simple steps to take your shot.

1

USE CROSSHAIRS  
TO AIM AT TARGET THEN  
PRESS THE RANGE BUTTON  
ON THE SCOPE OR REMOTE

2

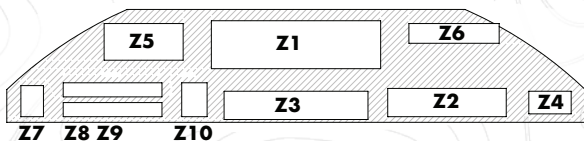
AIM AT THE TARGET  
WITH THE PROVIDED  
RED DOT

3

TAKE  
YOUR  
SHOT



## HUD FUNCTIONS



### Z1 - PRIMARY DISPLAY (DEFAULT RANGE)

This displays the distance to the target in the center of the crosshairs after activating the range button. User can define in the APP if the range displays in Yards or Meters.

## Z2 - SECONDARY DISPLAY (DEFAULT WIND-AGE)

The wind value is the hold value for a 10 mph 90 degree wind. The number indicates the number of “wind dots” in the X177 reticle to hold off your target. The wind speed and units can be modified in the BurrisConnect app.”

**NOTE:** Range can be displayed in either zone Z1 or Z2 depending on the user preference. Windage will display in the other zone. The user can change this in the BurrisConnect app.”

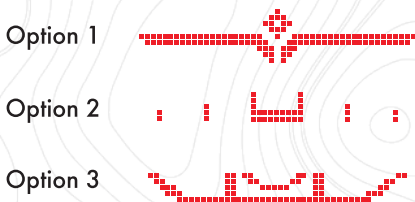
## Z3 - SCOPE LEVEL

The scope level indicates rifle cant. The level can be set to “bubble” or “ball” in the BurrisConnect App.

**Ball:** If the left side is low and the right side is high, level indication will rest at the LEFT.

**Bubble:** If the left side is low and the right side is high, level indication will rest at the RIGHT.

The user also selects a level appearance.



## DIGITAL LEVEL CALIBRATION

The HUD digital level comes calibrated from the factory. Within the App, the user can calibrate the scope’s cant level (as would be indicated by the scope level). This accounts for the scope being rotated in the rings. Ensure the rifle and scope are level using a bubble level and connect the scope to the app. Then tap “Zero Bubble Level” in the app.

## Z4 - BATTERY STATUS

Battery level icon indicates to the user the status of the battery.

## Z5 - DA MODE

The DA value displays the density altitude applied to your ballistic profile. DA AUTO means your scope is using the onboard weather station to determine the appropriate DA.

To manually select DA, hold down the Up and Down buttons for 5 seconds. Use the Up and Down buttons to select your desired DA. Press the Range button to select the your preferred DA value.

DA can be manually overridden from 0ft to 15,000ft in 1,000ft increments.



User override will persist through Off/Deep Sleep and power loss. User may return to AUTO through the DA menu.

## Z6 - TEMPERATURE

Ambient temperature is determined by an internal sensor. Temperature is displayed in the top right of the HUD. Temperature can be displayed in either Fahrenheit or Celsius.

## Z7 - BLUETOOTH CONNECTION

Bluetooth connectivity allows pairing to the BurrisConnect App. The symbol appears in the HUD when connected to your phone or tablet.

## Z8 & Z9 - IMPACT ENERGY & TRAVEL VELOCITY

Impact energy displays the amount of energy your bullet will have on impact at the ranged distance.

Travel Velocity indicates the speed at which your bullet is traveling at the ranged distance.

## Z10 - SHOT CALL MARKER

The shot call marker is designed to help hunters determine the threshold at which the user defined bullet has enough impact energy or velocity to fully expand and maintain lethality for the intended target.

If the user defined threshold is crossed, an X will appear indicating the shot should NOT be taken.



SHOT CALL MARKER **ON**  
SHOT SHOULD NOT BE TAKEN

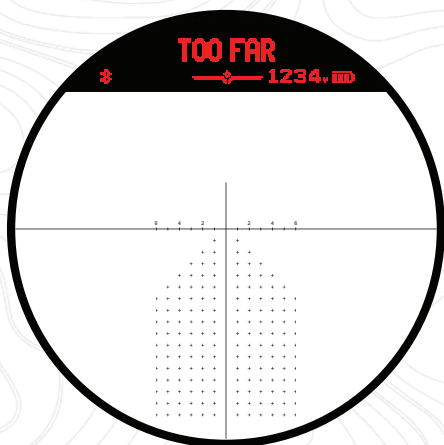


SHOT CALL MARKER **OFF**  
CLEAR TO TAKE SHOT

**IMPORTANT:** The Shot Call threshold is set in the BurrisConnect app and is the responsibility of the user to research what this level should be set to. Great resources to consult for appropriate thresholds are bullet manufacturers and local Game and Fish departments.

## RETICLE FAULT DISPLAYS

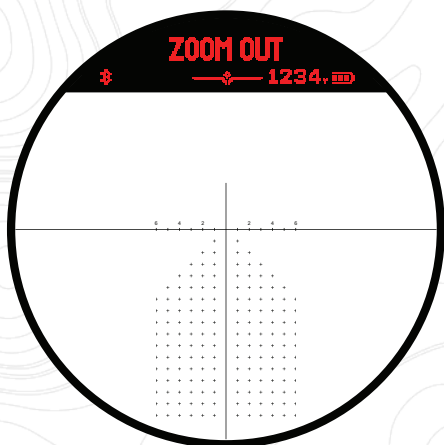
The Eliminator 6 excels in assessing the essential conditions required for a precise and ethical shot. Its intuitive system presents a range of informative displays, instantly highlighting any factors that may advise against taking the shot, ensuring a thoughtful and responsible approach to hunting.



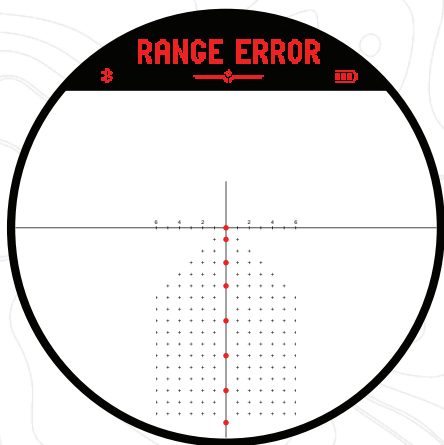
**TOO FAR** indicates that a firing solution cannot be displayed for your cartridge at any magnification.

**NOTE:** This will display if the cartridge is able to reach the ranged distance, but the reticle cannot display the drop required to hit at that distance.





**ZOOM OUT** will display when there is not an aiming solution for the ranged distance at the current magnification. This occurs when the aiming solution is outside the field of view. Simply reduce the magnification until your holdover dot appears.



**RANGE ERROR** will display when the user ranges a target and a good reading was not received. This could be because the target is below the LRF's operating range ( $\leq 37$  yards), the objective is dirty, or there is environmental interference (fog/rain/mirage). During a range error, a default aiming solution will display in the reticle for every 100 yard/meter increments up to 900yards/meters (as is shown in the image)

## SPECIFICATIONS

Item Number	200177	
Magnification	4-20x52mm	
Objective Outer Tube Diameter	60.1 mm	
Ocular Diameter	44.28 mm	
Tube Diameter	34 mm	
Objective Lens Diameter	52 mm	
Field Of View (ft @ 100 yards)	low	30.5 ft.
	high	6.5 ft.
Eye Relief	3.4 in.	
Exit Pupil	low	8.6 mm
	high	2.9 mm
Maximum Bullet Drop	low	63 MOA
	high	35 MOA
Ranging Distance	≥ 2,000 yd, high reflective	
	≥ 1,800 yd, deer hide	
Diopter Setting	+2 to -3	
Focal Plane	Rear	
Display Plane	Rear	
Reticle	X177	
Display Illumination	Push Button or Auto, 9 Levels	
Battery	Scope	CR123A x1
	Remote	CR2032 x1
Length	14.6 in	
Weight	30 oz	
Elevation Turret Marking Graduations	1/8 MOA	
Total Elevation Adjustment Range	40 MOA	
Windage Turret Graduations (Clicks)	1/8 MOA	
Total Windage Adjustment Range	40 MOA	
Parallax Focus	Side Focus	
Parallax/Focus Range	25 Yd. to Infinity	
Operating Temperature	-4°F to +110° F	
Storage Temperature	-22 °F to 158 °F	

## LASER INFORMATION

Model# 200177

Class 1 Consumer Laser Product

EN50689:2021

This product complies with IEC60825-1Ed.3 and 21CFR1040.10&1040.11 except for deviations pursuant to Laser Notice N.56 dated May, 2019. Burris Company. Made in Philippines.

Storage as with any electronic device, it is always a good idea to remove the battery when storing for a long period of time.

During storage or transportation, be sure that the On/Range button is not inadvertently depressed, thereby running the battery down when not in use.

## **CARE & MAINTENANCE**

Your Burris scope will provide a lifetime of service if given the reasonable care and treatment it deserves. The only maintenance required is occasional cleaning of the outside of the scope and the exterior lenses.

To protect the objective and ocular lenses, it comes equipped with flip-up scope caps. If the lenses are subjected to dust, dirt or mud, follow these steps to clean and protect the lens surface.

Coarse dirt/debris must be removed from the lens surface. The most convenient way to clean the lenses is to use a Burris Lens Pen. Position the scope so particles will fall away from the lens, and then use the Lens Pen to gently whisk away the debris, while blowing on the lens to dislodge the particles. For heavy dirt, like dried mud, use a spray of clean water or lens cleaning fluid to remove the dirt.

Your Eliminator 6 riflescope will provide reliable performance. Only occasional cleaning of the outside of the scope and the exterior lenses is required. Never disassemble your scope as this will void the warranty. For any other problems, or concerns, consult the Burris Technical Support team.

## **BURRIS CUSTOMER SERVICE**

**1-888-440-0244**

[customerservice@burrisoptics.com](mailto:customerservice@burrisoptics.com)

[www.burrisoptics.com/support/customer-service](http://www.burrisoptics.com/support/customer-service)

## FOREVER WARRANTY

The Eliminator 6 riflescope is covered by the Burris Forever Warranty™

All Burris Optics (with the exception of Thermal products) are covered by the Burris Forever Warranty™.



We will repair or replace your Burris optic if it is damaged or defective. The warranty is automatically transferred to future owners.

- No repair or replacement charge
- No warranty card needed
- No receipt needed
- No questions asked

The Burris Forever Warranty does not cover loss, theft, deliberate damage, or cosmetic damage that does not hinder the performance of the product.







*Burris*®

Burris Company  
331 East 8th St., Greeley, CO 80631  
(970) 356-1670  
BurrisOptics.com  
Facebook.com/BurrisOptics  
INSTR-9177