

## PRODUCT FUNCTION DESCRIPTION

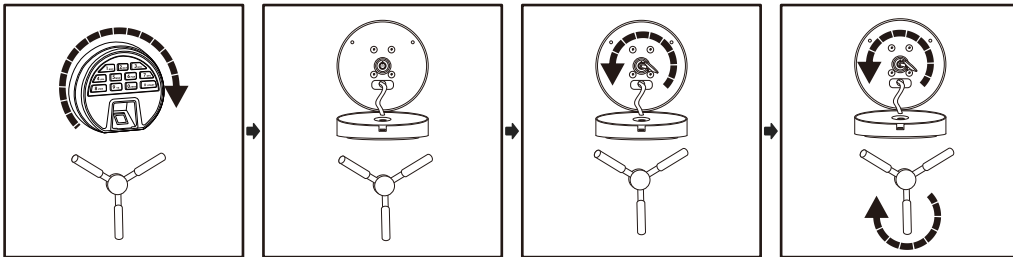
- FP2300F is a high-tech products, play a better role in security.
- Use password and fingerprint for great convenience and high- theft proof performance.
- Use friendly product-original design, unique structure.
- Maximum 20 fingerprints can be registered.
- Power supply: four 1.5V batteries.

## EMERGENCY KEY

When the battery power in the safe is insufficient to open the safe or the password is forgotten, you can use the emergency key to open the door.

- First turn the keypad clockwise to remove the keypad, you can see the emergency keyhole under the keypad.
- Insert the emergency key to turn counterclockwise without releasing hand, turn the handle clockwise to open the door.

⚠ CAUTION: Please leave the emergency key in a safer place outside the safe.



## SYSTEM INITIALIZATION/ DELETION

- Press the reset button for long until you hear a long beep sound means the factory settings have been restored.
- The user password is initialized to "1234" and the fingerprint is cleared.

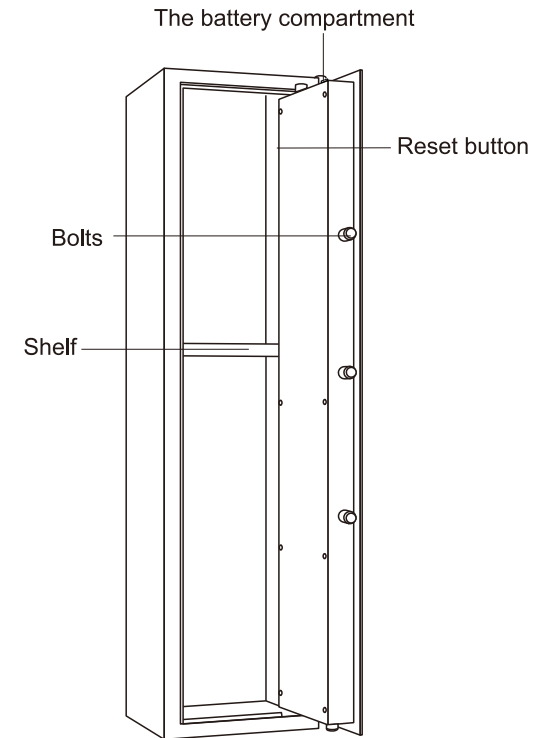
**For any help, kindly consult the local distributor**

# INTELLIGENT ELECTRONIC SAFE

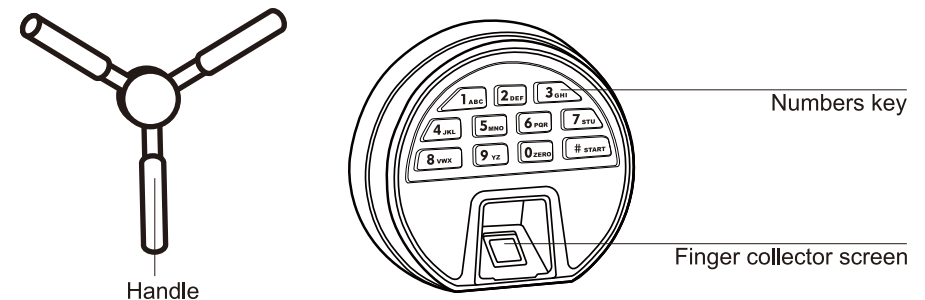
(FP2300F SERIES)

⚠ Please do not keep emergency keys in your safe!

Schematic drawing of case



Schematic drawing of control panel



## PREPARATION

- The safe on delivery comes with no registered fingerprints, and blank fingerprint cannot open the door.
- The safe is not loaded with batteries, you may insert the emergency key into the emergency keyhole to open the door.
- Uncover the battery compartment cover on top of the back cover. And put in four 1.5V batteries. Please pay attention to the polarity of the batteries.
- The preset code of safe on delivery is “1234”, the user may open the door with the preset code when batteries are placed and tested normal.

⚠ CAUTION: For security of your property, you will need to change the preset code.

## POWER SUPPLY

- Pull the door open.
- Pull out the battery compartment cover.
- Replace 4 fresh batteries by lining them up in a manner as indicates by the “+” and “-” signs.

⚠ CAUTION: When the power supply voltage is insufficient, after the use of the system to exit, you will hear 5 short “beep” sounds, it means the batteries is low, please replace the batteries. While choosing battery, suggest to use high-powered alkaline battery with high quality. Please do not use any inferior, counterfeit or carbon-zinc batteries.

## SET USER CODE

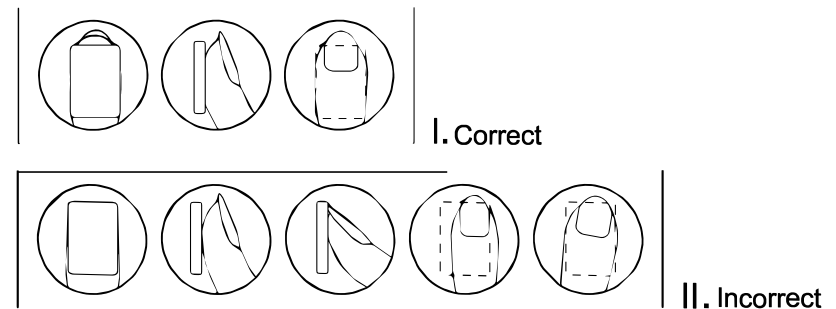
- Keep the door open and press the reset button. After pressing the reset button , you will hear a beep and the fingerprint viewport lights up ( You need to take the next step before the light of keypad goes off within 10 seconds , or you need to press the reset button again ).
- Then enter 3-8 digits password ( after 8 digits enter any password that covers the 8th digit), press the # key and hear two beeps from buzzer.
- Enter the password once more and press the # key. (After pressing the reset button, the fingerprint viewport light will be on for about 10 seconds. You need to take the next step before the screen goes off, or you need to press the reset button again.)
- If the password entered twice is the same and a long beep is heard, the new password is set successfully.
- If the password entered twice is not the same, you will hear 3 beeps sound, please do the above operation again.

⚠ NOTE: Factory preset code is 1234.

## FINGERPRINT REGISTRATION

- Keep the door open and press the reset button, and the light of the fingerprint viewport will be on.
- Then place the finger to be registered correctly on the fingerprint collector, hear the “beep” short sound, take away the finger and press again, repeat 3 times, hear the “beep—” long sound, which means that fingerprint registration succeeds. (For example, 3 short “beep” sound means registration failure, please do the above operation again.)
- According to this method, you can register other fingerprints.

⚠ CAUTION: Maximum 20 fingerprints can be registered.



## UNLOCK THE SAFE

- Password unlock: Press the # key to activate the keypad, then enter the correct password and press the # key again. When you hear the long “beep—” sound, turn the handle downward to open the door. If the wrong password is entered, two beeps will be heard. Then enter the correct password to open the door.
- Fingerprint unlock: Press your finger on the fingerprint collector, the light of the fingerprint viewport will be on and you will hear a long “beep—”, then turn the handle downward to open the door. If an incorrect fingerprint is entered, two beeps will be heard. Then enter the correct fingerprint to open the door.

## LOCK OUT MODE

If the wrong codes or fingerprint are entered 5 times consecutively, the keypad will activate the auto lock system and the alarm will beep. You can enter the correct password or fingerprint, or you can use the emergency key to unlock the door to disarm the alarm.